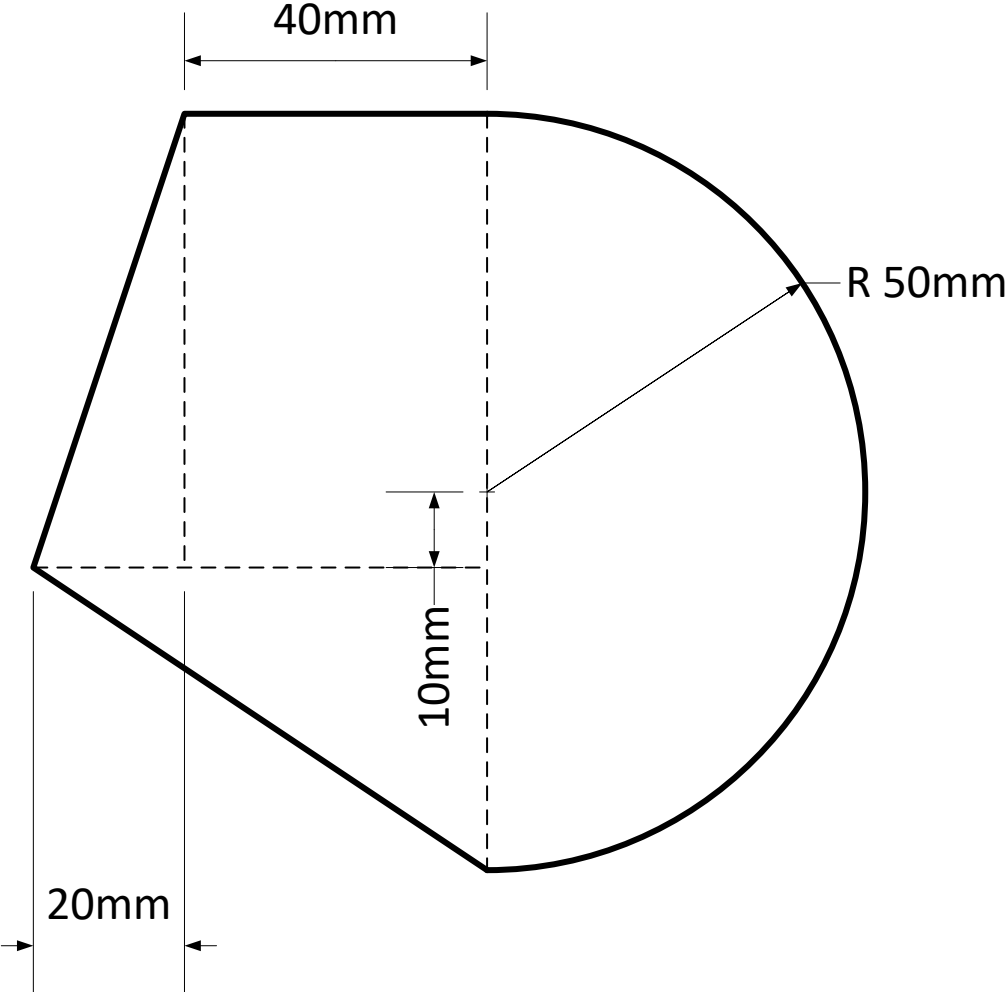


Calculate the **exact** area of the following shape.



Find the surface area of this shape

